

## ANCHOR CAPSTAN GMP-NL

Electric anchor capstan for the horizontal installation on the deck.

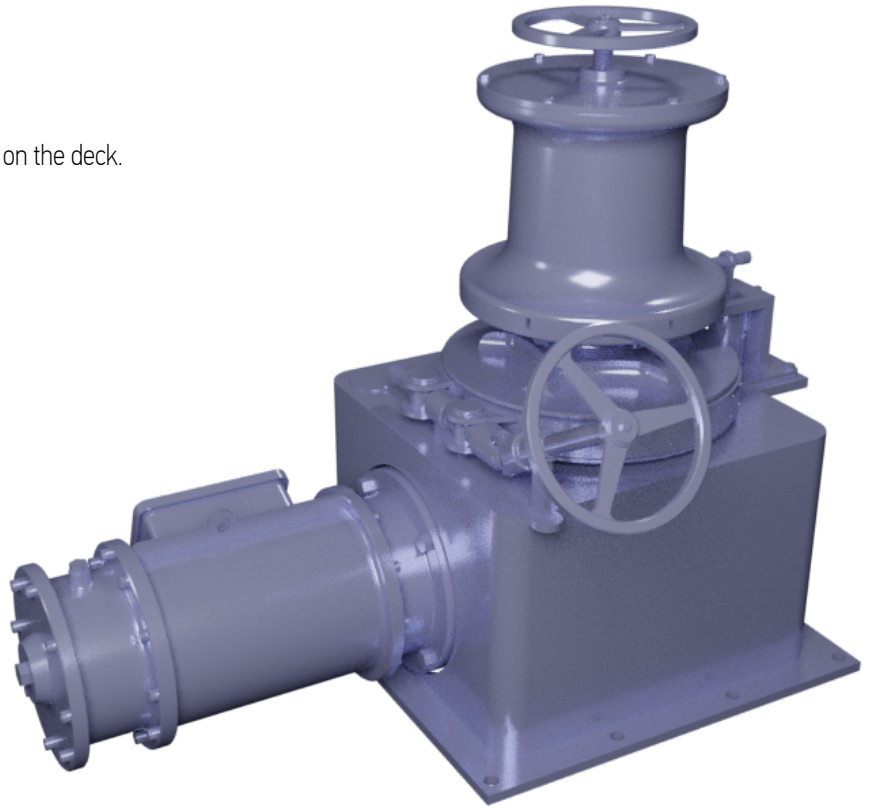
Driven mode: electric

Location: horizontally on the deck

Anchor chain diameter: 12,5 – 52 mm

Voltage: 220 and 380 V

The anchor capstan could be customized by request.



Nº	Model	Driven mode	Anchor chain diameter, mm	Speed of the anchor chain drop, m/sec	Speed of the mooring line drop, m/sec	Working load, kN	Braking moment of the brake band, kN	Power, kw
1	GMP-12,5NL	Electric driven motor 220V or 380V, 50Hz	12,5	0,19 / 0,063	0,14	6,64	19,80	3 / 1.2
2	GMP-14NL		14	0,22 / 0,073	0,26	8,33	24,60	3 / 1.2
3	GMP-16NL		16	0,2 / 0,067	0,25	10,88	32,10	4.3 / 1.7
4	GMP-17,5NL		17.5	0,15 / 0,05	0,27	13,02	38,10	4.3 / 1.7
5	GMP-19NL		19	0,2 / 0,067	0,27	15,34	50,00	6 / 2.5
6	GMP-20,5NL		20.5	0,2 / 0,067	0,27	17,96	52,50	6 / 2.5
7	GMP-22NL		22	0,19 / 0,063	0,25	20,57	60,00	6 / 2.5
8	GMP-24NL		24	0,15 / 0,075	0,25	24,50	71,10	8.5 / 3.5
9	GMP-26NL		26	0,15 / 0,075	0,20	28,70	83,40	8.5 / 3.5
10	GMP-28NL		28	0,3 / 0,15 / 0,05	0,21	33,32	96,30	11 / 11 / 7.5
11	GMP-30NL		30	0,3 / 0,15 / 0,05	0,21	38,25	110,40	11 / 11 / 7.5
12	GMP-32NL		32	0,3 / 0,15 / 0,05	0,23	43,52	125,10	16 / 16 / 11
13	GMP-34NL		34	0,33 / 0,167 / 0,084	0,23	49,13	140,40	16 / 16 / 11
14	GMP-36NL		36	0,33 / 0,167 / 0,084	0,23	55,08	156,90	22 / 22 / 16
15	GMP-38NL		38	0,33 / 0,167 / 0,084	0,23	61,40	174,30	22 / 22 / 16

Dimensions for the higher anchor chain diameters available by request: [order@umsteam.com](mailto:order@umsteam.com)