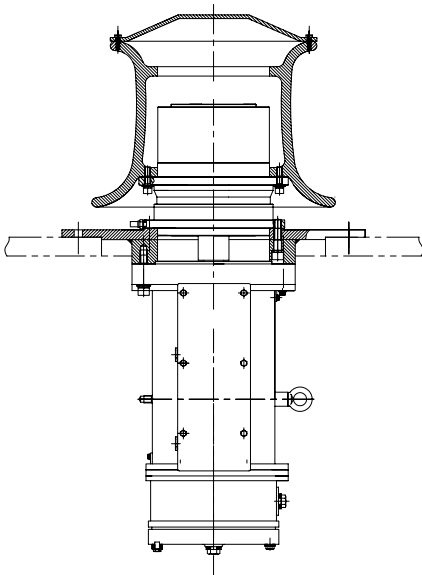


## MOORING CAPSTAN GMC-P

Electric mooring capstan for the vertical installation below the deck.

Driven mode: electric  
Location: vertically below the deck  
Voltage: 220 and 380 V

The mooring capstan could be customized by request.



Nº	Model	Driven mode	Working load, kN	Mooring speed, m/min	Max diameter for steel rope, mm	Max circ. of synthetic rope, mm	Capacity, kw
1	GMC-5P	Electric driven motor 220V or 380V, 50Hz	5	12	10	47	3 / 1,2
2	GMC-10P		10	12	12	63	3 / 1,2
3	GMC-15P		15	12	14	69	4,3 / 1,7
4	GMC-20P		20	12	16	78	6 / 2,5
5	GMC-30P		30	12	18	94	8,5 / 3,5
6	GMC-40P		40	12	20	110	12 / 3,5
7	GMC-50P		50	12	22	125	16 / 16 / 11
8	GMC-60P		60	12	24	140	22 / 22 / 16
9	GMC-80P		80	12	28	157	30 / 30 / 22
10	GMC-100P		100	12	30	188	30 / 30 / 22

Dimensions for the higher working load available by request: [order@umsteam.com](mailto:order@umsteam.com)