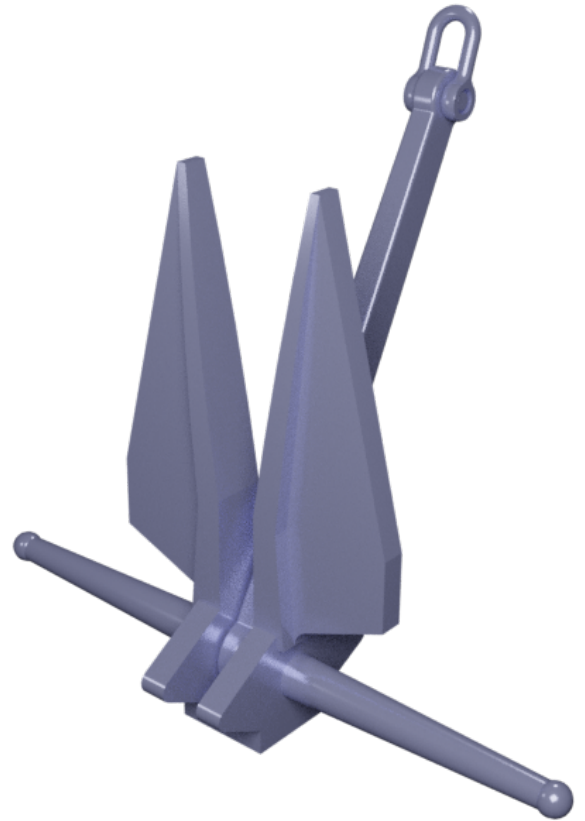
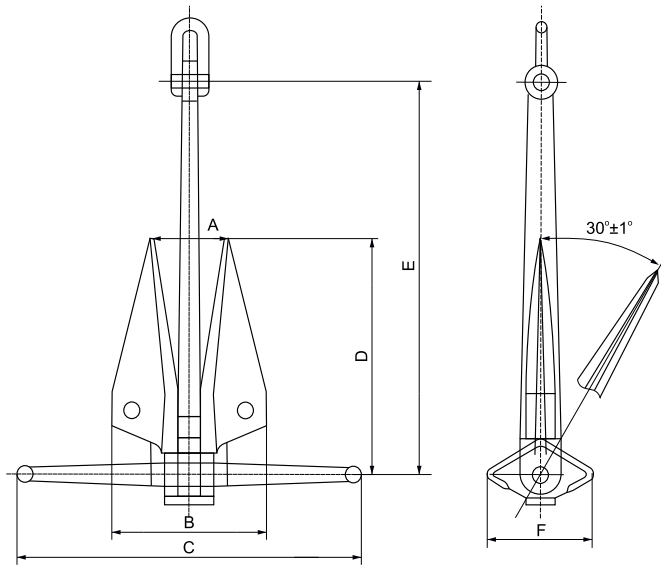


DANFORTH ANCHOR (HHP)



Weight: kg	Dimensions: mm						
	A	B	C	D	E	F	
60	186	408	755	535	985	240	
75	200	450	830	590	1080	260	
100	216	490	930	640	1180	290	
120	220	505	970	670	1230	300	
125	234	520	1000	690	1270	310	
150	242	550	1060	732	1348	330	
200	266	600	1150	810	1490	360	
250	294	650	1240	870	1600	390	
276	296	660	1250	885	1620	400	
300	312	690	1320	925	1700	420	
400	342	750	1460	1010	1810	460	
500	368	800	1570	1100	2020	490	
750	414	910	1800	1260	2300	560	
1000	450	980	1980	1380	2540	620	
1250	484	1070	2100	1490	2740	670	
1500	512	1120	2220	1580	2850	700	
2000	560	1130	2440	1730	2910	770	
2500	605	1217	2628	1864	3070	830	
3000	640	1290	2790	1980	3330	880	
4000	700	1420	3070	2170	3590	970	
5000	735	1482	3200	2270	3840	1020	
6000	800	1620	3500	2480	4100	1100	
7000	840	1696	3850	2590	4180	1150	
8500	910	1936	3940	2600	4490	1240	
10000	940	2000	4150	2900	4640	1280	

Dimensions for the higher valued weights available by request: order@umsteam.com