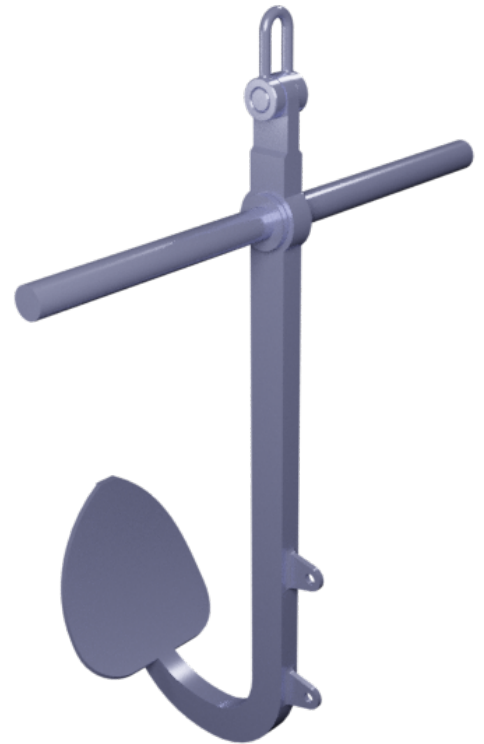
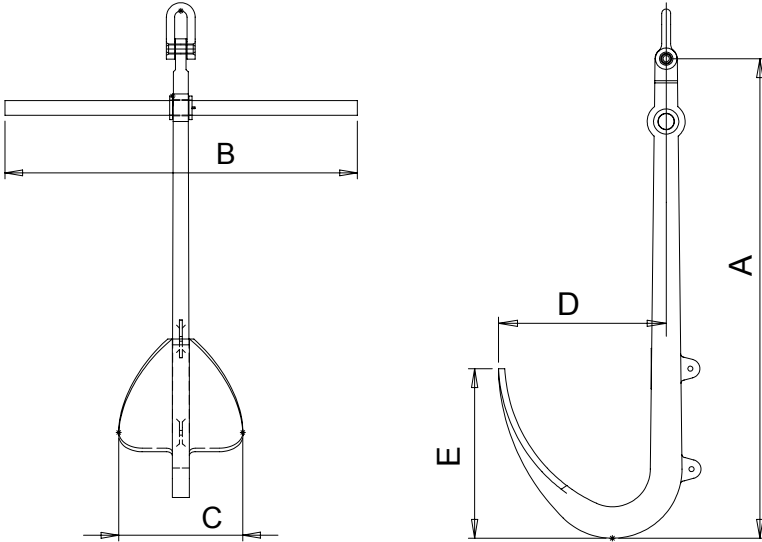


## SINGLE FLUKE ANCHOR



Weight: kg	Dimensions: mm				
	A	B	C	D	E
75	1310	1100	360	455	465
100	1445	1200	400	500	510
150	1650	1380	455	575	585
200	1820	1520	505	630	645
300	2080	1740	575	725	735
400	2290	1915	635	800	810
500	2470	2065	680	855	875
600	2620	2190	725	910	930
800	2890	2415	800	1000	1020
1000	3110	2600	860	1080	1100
1250	3350	2800	925	1165	1185
1500	3560	2980	985	1235	1260
1750	3750	3135	1035	1300	1325
2000	3920	3275	1085	1360	1385
3000	4485	3750	1240	1555	1585
4000	4940	4125	1360	1710	1745
5000	5320	4440	1472	1845	1880
6000	5650	4720	1560	1960	1995
7000	5950	4970	1645	2065	2100
8000	6220	5200	1720	2155	2200
9000	6468	5400	1790	2240	2288
10000	6700	5600	1852	2320	2154
12000	7115	5950	1968	2465	2516
15000	7670	6410	2120	2657	2710
18000	8148	6810	2253	2823	2882
20000	8400	7020	2320	2910	2970
22000	8710	7275	2410	3020	3074
25000	9080	7590	2510	3146	3212

Dimensions for the higher valued weights available by request: [order@umsteam.com](mailto:order@umsteam.com)